



-20V/-3A P-Channel Enhancement Mode MOSFET

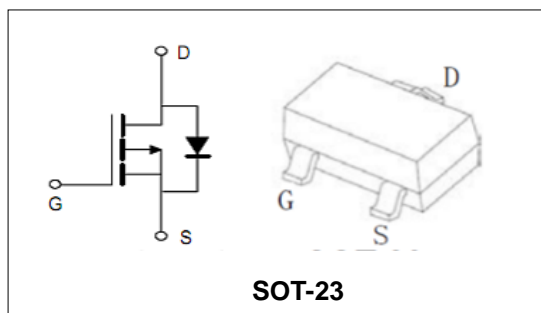
Features

- Advanced trench process technology
- High Density Cell Design For Ultra Low On-Resistance

Applications

- PWM application
- Load switch

BVDSS	-20	V
ID	-3	A
RDSON@VGS=-4.5V	60	mΩ
RDSON@VGS=-2.5V	75	mΩ



Order Information

Product	Package	Marking	Reel Size	Reel	Carton
PT2301A	SOT-23	A1sHB	7inch	3000PCS	180000PCS

Absolute Maximum Ratings

Symbol	Parameter	Rating	Unit	
Common Ratings (TC=25°C Unless Otherwise Noted)				
$V_{(BR)DSS}$	Drain-Source Breakdown Voltage	-20	V	
V_{GS}	Gate-Source Voltage	±10	V	
T_J	Maximum Junction Temperature	150	°C	
T_{STG}	Storage Temperature Range	-55 to 150	°C	
I_S	Diode Continuous Forward Current	TA =25°C	-3	A
Mounted on Large Heat Sink				
I_{DM}	Pulse Drain Current Tested (Silicon Limit) (Note1)	TA =25°C	-10	A
I_D	Continuous Drain current	TA =25°C	-3	A
P_D	Maximum Power Dissipation	TA =25°C	1.25	W
$R_{θJA}$	Thermal Resistance Junction-to-Ambient (Note2)		100	°C/W

**-20V/-3A P-Channel Enhancement Mode MOSFET**

Symbol	Parameter	Condition	Min.	Typ.	Max.	Unit
Static Electrical Characteristics @ T_J = 25°C (unless otherwise stated)						
V _{(BR)DSS}	Drain- Source Breakdown Voltage	VGS=0V ID=-250μA	-20	--	--	V
I _{DSS}	Zero Gate Voltage Drain current	VDS=-20V,VGS=0V	--	--	-1	μA
I _{GSS}	Gate-Body Leakage Current	VGS=±10V,VDS=0V	--	--	±100	uA
V _{GS(TH)}	Gate Threshold Voltage	VDS=VGS,ID=-250μA	-0.4	--	-1	V
R _{DS(ON)}	Drain-Source On-State Resistance (Note3)	VGS=-4.5V, ID=-3A	--	60	95	mΩ
		VGS=-2.5V, ID=-2A	--	75	140	mΩ
Dynamic Electrical Characteristics @ T_J = 25°C (unless otherwise stated) (Note4)						
C _{iss}	Input Capacitance	VDS= -6V, VGS=0V, F=1MHz	--	415	--	pF
C _{oss}	Output Capacitance		--	223	--	pF
C _{rss}	Reverse Transfer Capacitance		--	87	--	pF
Q _g	Total Gate Charge	VDS= -6V, ID= -2.3A, VGS= -4.5V	--	5.8	--	nC
Q _{gs}	Gate-Source Charge		--	0.85	--	nC
Q _{gd}	Gate-Drain Charge		--	1.7	--	nC
Switching Characteristics (Note4)						
t _{d(on)}	Turn-on Delay Time	VDD=-6V, ID=-1A, RL=6Ω, RG=6Ω, VGS=-4.5V	--	13	--	nS
t _r	Turn-on Rise Time		--	36	--	nS
t _{d(off)}	Turn-off Delay Time		--	42	--	nS
t _f	Turn-off Fall Time		--	34	--	nS
Source- Drain Diode Characteristics @ T_J = 25°C (unless otherwise stated)						
V _{SD}	Forward on voltage (Note3)	IS=-1A,VGS=0V	--	--	-1.2	V

Note:

1. Repetitive Rating: Pulse width limited by maximum junction temperature.
2. Surface Mounted on FR4 Board, t ≤ 10 sec
3. Pulse Test: pulse width ≤ 300 us, duty cycle ≤ 2%.
4. Guaranteed by design, not subject to production testing.



-20V/-3A P-Channel Enhancement Mode MOSFET

Typical Characteristics

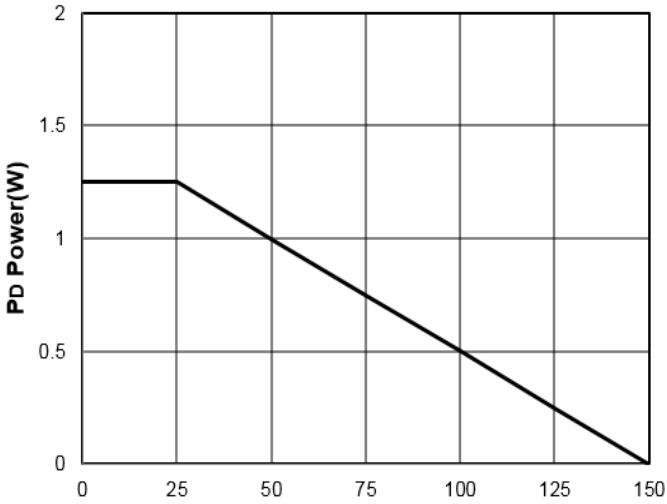


Figure1: Tj Junction Temperature (°C)

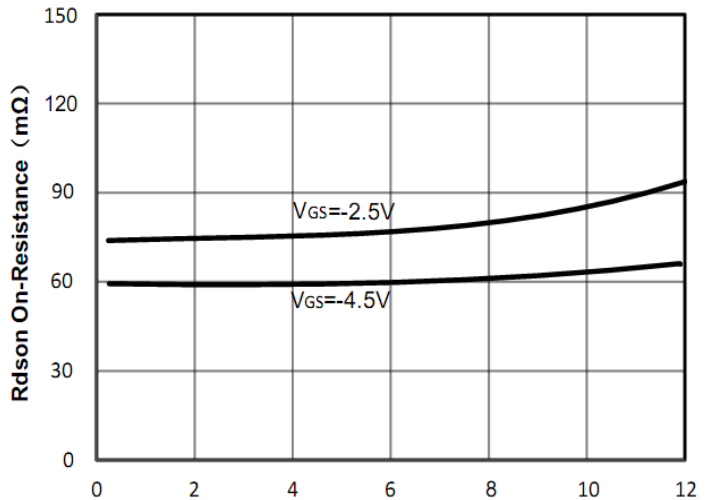


Figure2: -Id Drain Current (A)

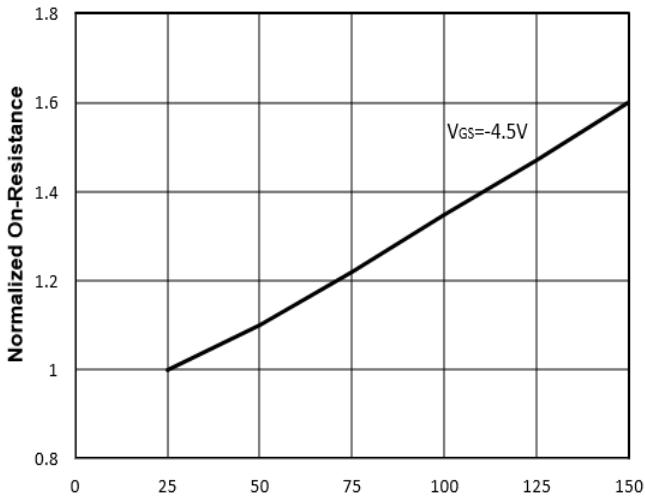


Figure3: Tj Junction Temperature (°C)

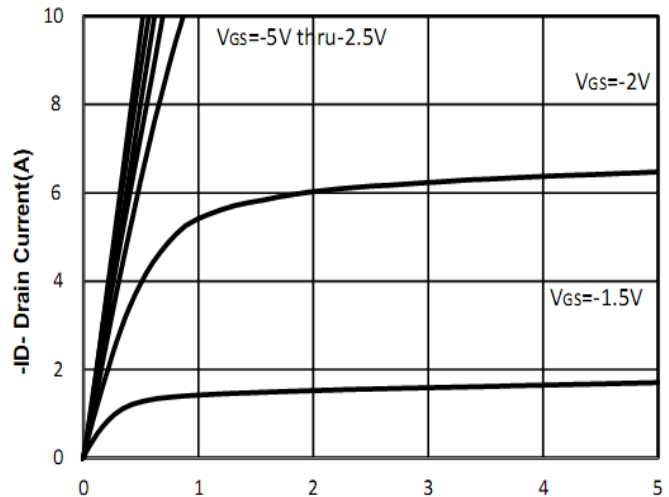


Figure4: -Vds Drain-Source Voltage (V)

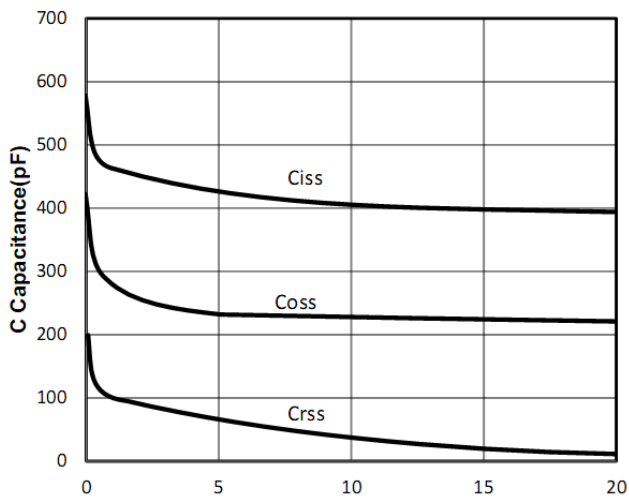


Figure5: -Vds Drain-Source Voltage (V)

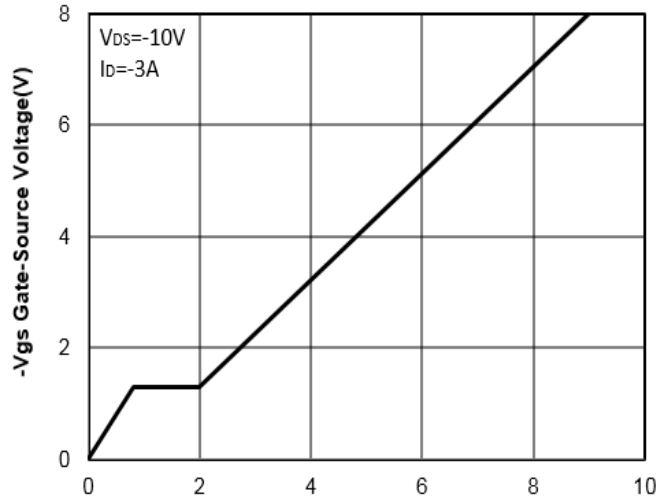


Figure6: Qg Gate Charge (nC)



-20V/-3A P-Channel Enhancement Mode MOSFET

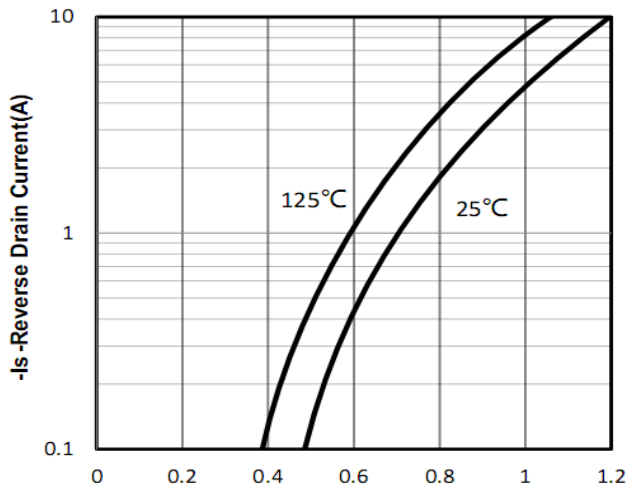


Figure7: -Vsd Source-Drain Voltage (V)

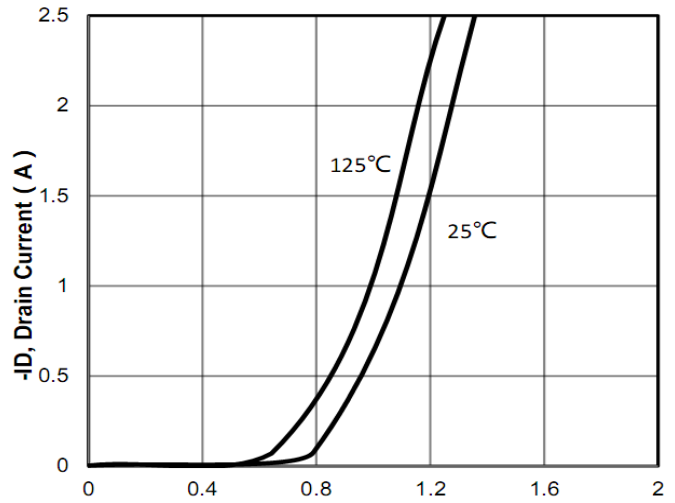


Figure8: -Vgs Gate-Source Voltage (V)

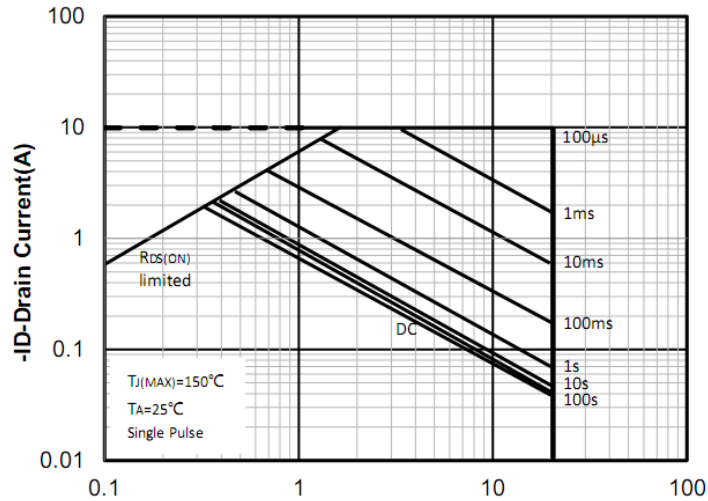


Figure9: -Vds Drain -Source Voltage (V)

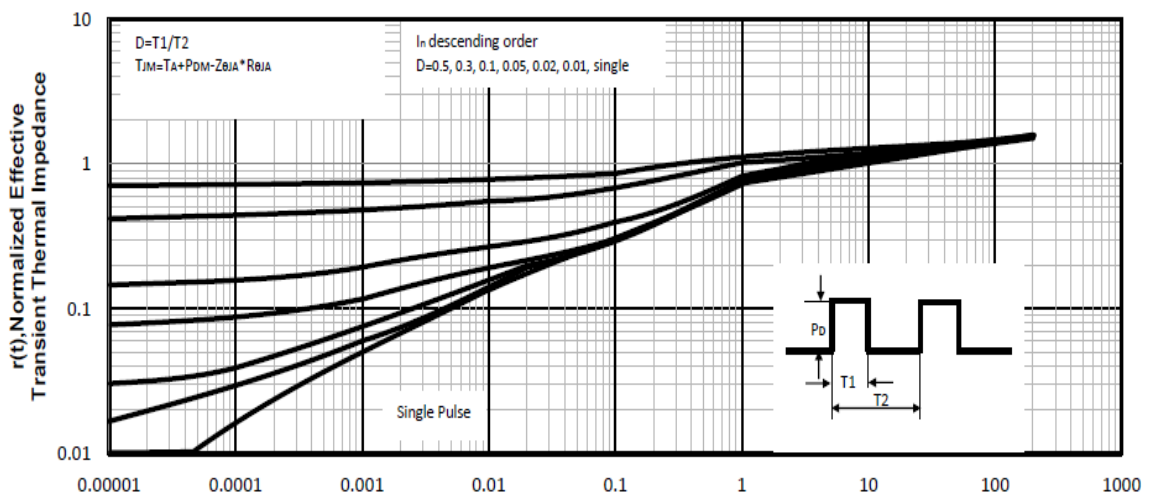
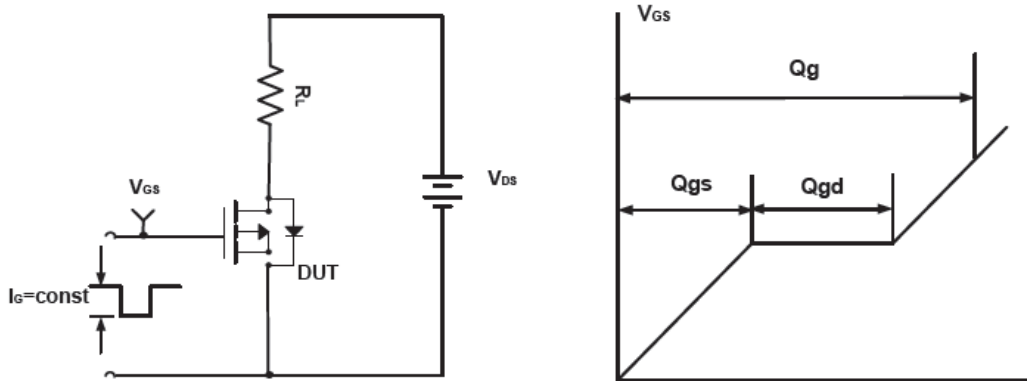
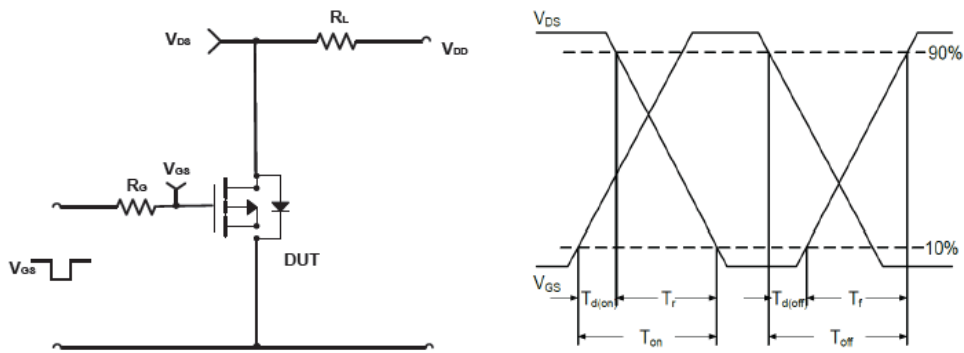
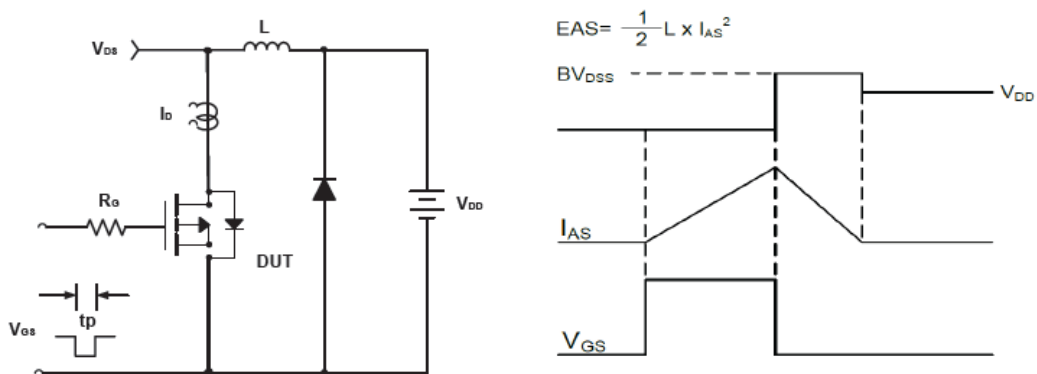


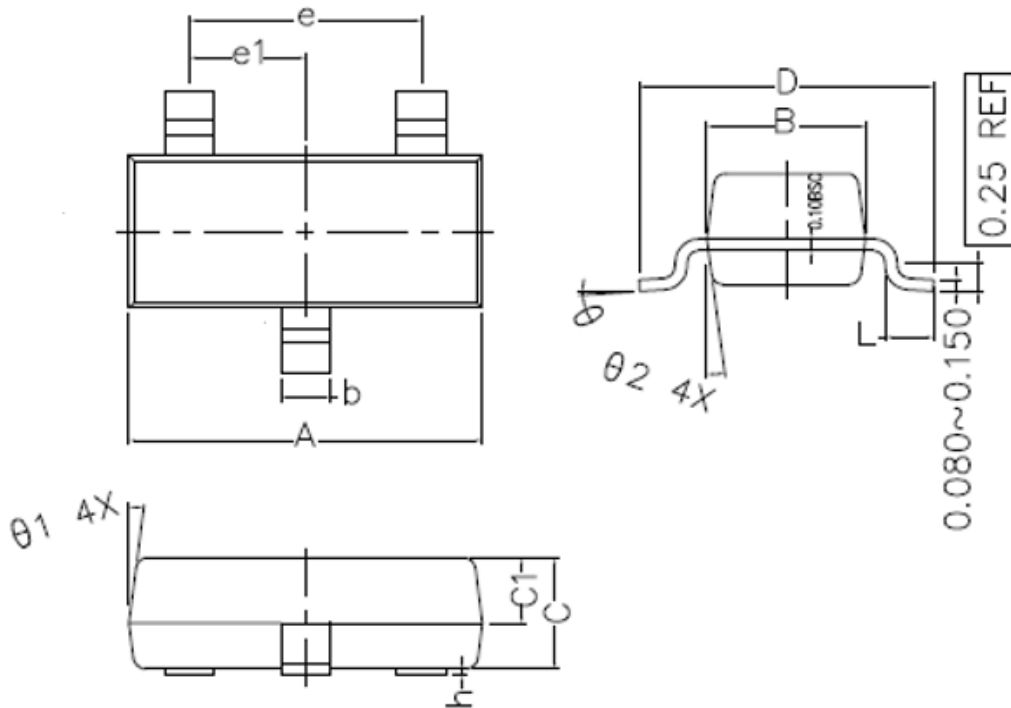
Figure10: Square Wave Pulse Duration (sec)

-20V/-3A P-Channel Enhancement Mode MOSFET
Test Circuit and Waveform:

Figure A Gate Charge Test Circuit & Waveforms

Figure B Switching Test Circuit & Waveforms

Figure C Unclamped Inductive Switching Circuit & Waveforms



-20V/-3A P-Channel Enhancement Mode MOSFET

SOT-23 Package Outline Dimensions (Units: mm)



COMMON DIMENSIONS (UNITS OF MEASURE IS mm)			
	MIN	NORMAL	MAX
A	2.800	2.900	3.000
B	1.200	1.300	1.400
C	0.900	1.000	1.100
C1	0.500	0.550	0.600
D	2.250	2.400	2.550
L	0.300	0.400	0.500
h	0.010	0.050	0.100
b	0.300	0.400	0.500
e	1.90 TYPE		
e1	0.95 TYPE		
θ ₁	7° TYPE		
θ ₂	7° TYPE		
θ	0° ~ 7°		