

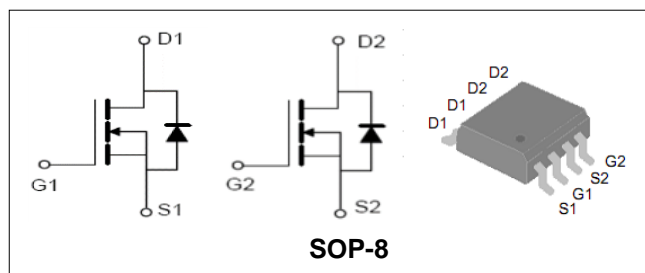
**20V/6A N-Channel Enhancement Mode MOSFET****Features**

- Advanced trench process technology
- High Density Cell Design For Ultra Low On-Resistance
- High Power and Current handing capability
- Ideal for Li ion battery pack applications

BVDSS	20	V
ID	6	A
RDSON@VGS=2.5V	35	mΩ
RDSON@VGS=4.5V	27	mΩ

Applications

- Power switching application
- Hard switched and high frequency circuits
- Uninterruptible Power Supply (UPS)

**Order Information**

Product	Package	Marking	Reel Size	Reel	Carton
PT9926	SOP-8	PT9926	13inch	3000PCS	48000PCS

Absolute Maximum Ratings

Symbol	Parameter	Rating	Unit	
Common Ratings (TC=25°C Unless Otherwise Noted)				
$V_{(BR)DSS}$	Drain-Source Breakdown Voltage	20	V	
V_{GS}	Gate-Source Voltage	±12	V	
T_J	Maximum Junction Temperature	150	°C	
T_{STG}	Storage Temperature Range	-55 to 150	°C	
I_S	Diode Continuous Forward Current	$T_A = 25^\circ\text{C}$	1.7	A
Mounted on Large Heat Sink				
I_{DM}	Pulse Drain Current Tested (Silicon Limit) (Note1)	$T_A = 25^\circ\text{C}$	20	A
I_D	Continuous Drain current	$T_A = 25^\circ\text{C}$	6	A
P_D	Maximum Power Dissipation	$T_A = 25^\circ\text{C}$	2	W
$R_{\theta JA}$	Thermal Resistance Junction-to-Ambient (Note2)		62.5	°C/W



20V/6A N-Channel Enhancement Mode MOSFET

Symbol	Parameter	Condition	Min.	Typ.	Max.	Unit
Static Electrical Characteristics @ T_J = 25°C (unless otherwise stated)						
V _{(BR)DSS}	Drain- Source Breakdown Voltage	VGS=0V ID=250μA	20	--	--	V
I _{DSS}	Zero Gate Voltage Drain current	VDS=20V,VGS=0V	--	--	1	μA
I _{GSS}	Gate-Body Leakage Current	VGS=±10V,VDS=0V	--	--	±100	nA
V _{GS(TH)}	Gate Threshold Voltage	VDS=VGS,ID=250μA	0.5	--	1.2	V
R _{DS(ON)}	Drain-Source On-State Resistance (Note3)	VGS=2.5V, ID=5.2A	--	35	40	mΩ
		VGS=4.5V, ID=6A	--	27	30	mΩ
g _{FS}	Forward Transconductance	VDS=10V,ID=6A	--	5	--	S
Dynamic Electrical Characteristics @ T_J = 25°C (unless otherwise stated) (Note4)						
C _{iss}	Input Capacitance	VDS=8V, VGS=0V, F=1MHz	--	565	--	pF
C _{oss}	Output Capacitance		--	105	--	pF
C _{rss}	Reverse Transfer Capacitance		--	75	--	pF
Q _g	Total Gate Charge	VDS=10V, ID=6A, VGS=4.5V	--	5	--	nC
Q _{gs}	Gate-Source Charge		--	1	--	nC
Q _{gd}	Gate-Drain Charge		--	1.5	--	nC
Switching Characteristics (Note4)						
t _{d(on)}	Turn-on Delay Time	VDS=10V, ID=1A, RG=6Ω, VGS=4.5V	--	8	--	nS
t _r	Turn-on Rise Time		--	10	--	nS
t _{d(off)}	Turn-off Delay Time		--	22	--	nS
t _f	Turn-off Fall Time		--	6	--	nS
Source- Drain Diode Characteristics @ T_J = 25°C (unless otherwise stated)						
V _{SD}	Forward on voltage	IS=1.7A,VGS=0V	--	--	1.2	V

Note:

1. Repetitive Rating: Pulse width limited by maximum junction temperature.
2. Surface Mounted on FR4 Board, t ≤ 10 sec.
3. Pulse Test: pulse width ≤ 300 us, duty cycle ≤ 2%.
4. Guranteed by design, not subject to production testing.



20V/6A N-Channel Enhancement Mode MOSFET

Typical Characteristics

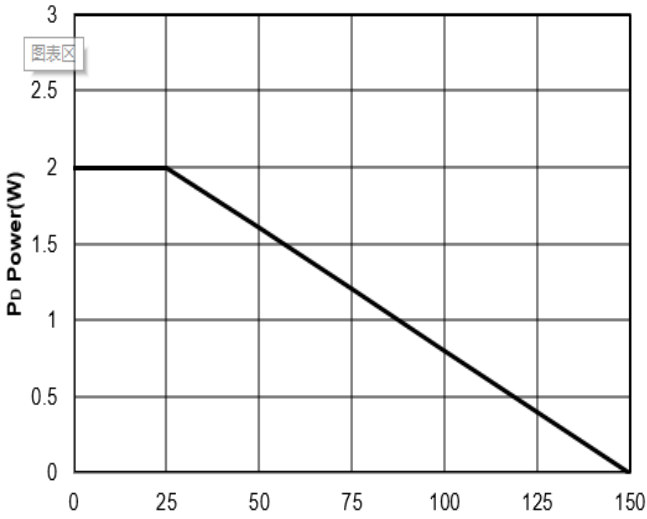


Figure1: T_J Junction Temperature (°C)

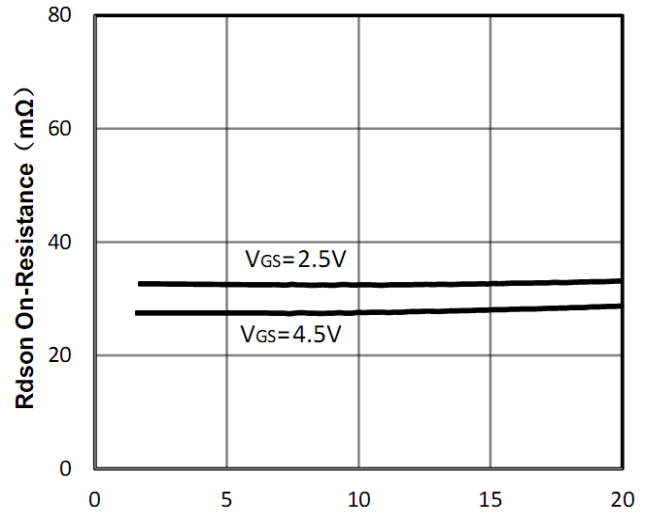


Figure2: I_D Drain Current (A)

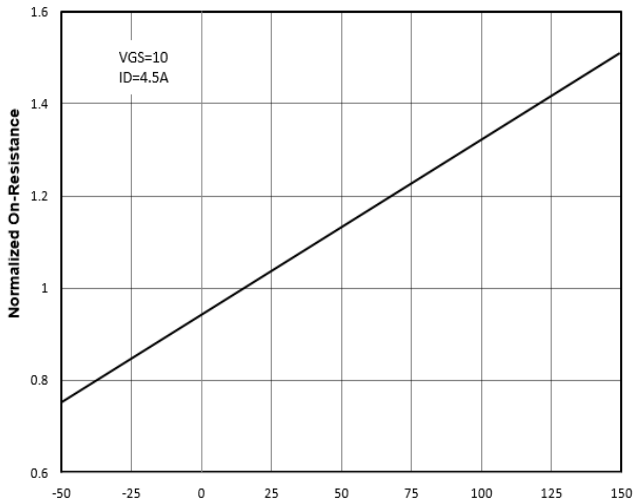


Figure3: T_J Junction Temperature (°C)

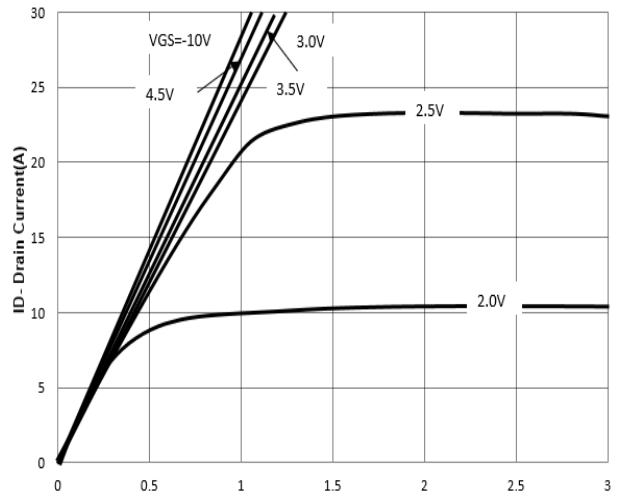


Figure4: V_{DS} Drain-Source Voltage (V)

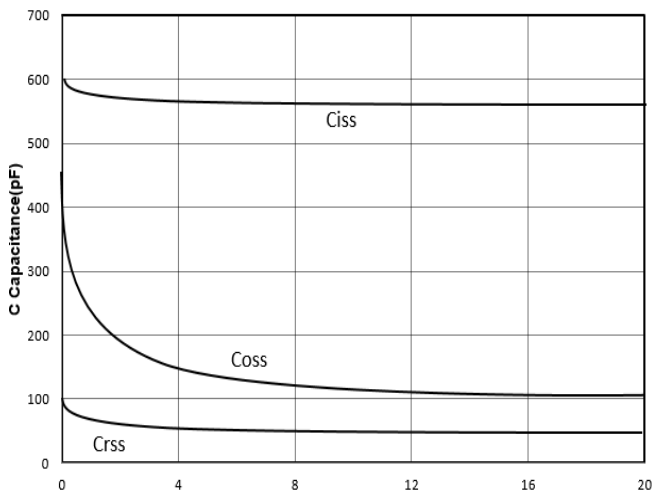


Figure5: V_{DS} Drain-Source Voltage (V)

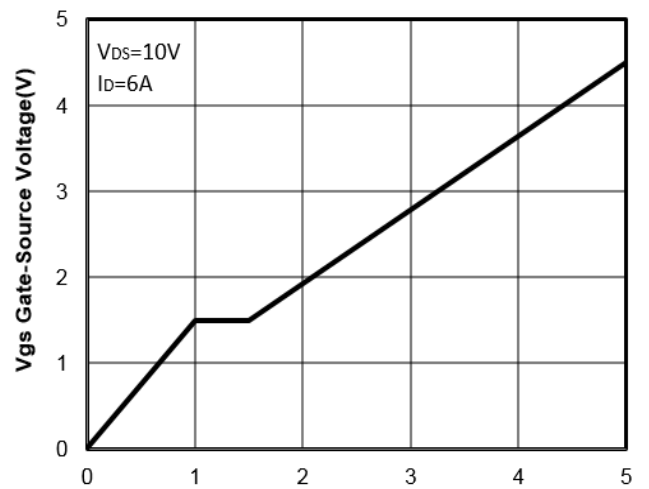


Figure6: Q_g Gate Charge (nC)



20V/6A N-Channel Enhancement Mode MOSFET

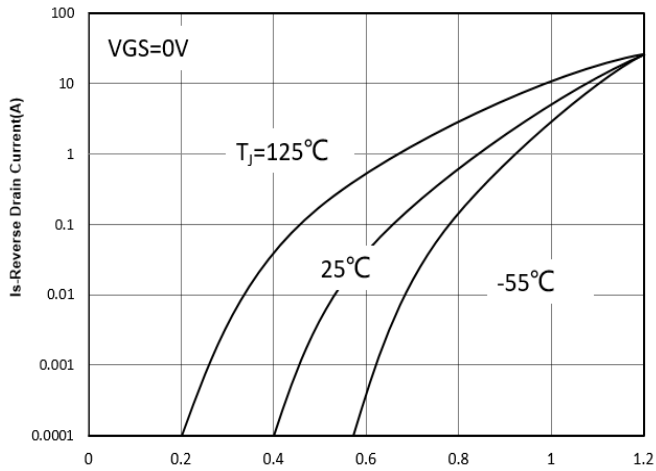


Figure7: Vsd Source-Drain Voltage (V)

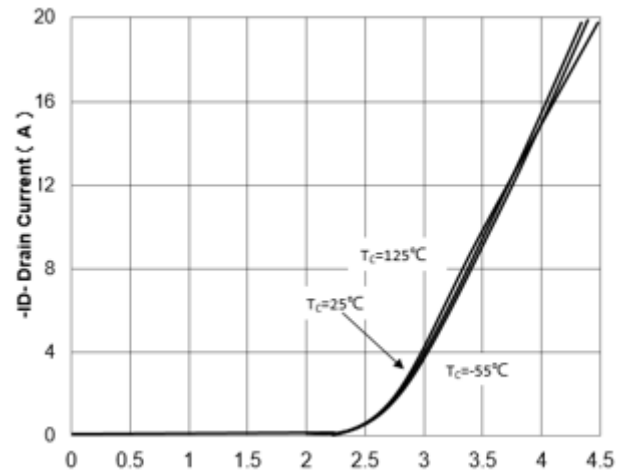


Figure8: -Vgs Gate-Source Voltage (V)

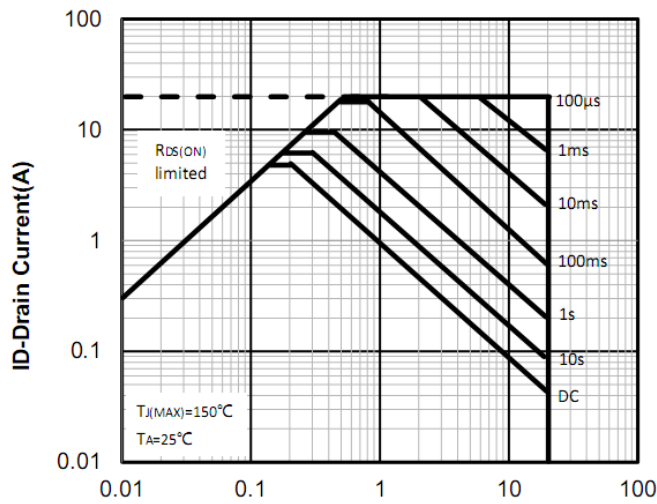


Figure9: Vds Drain -Source Voltage (V)

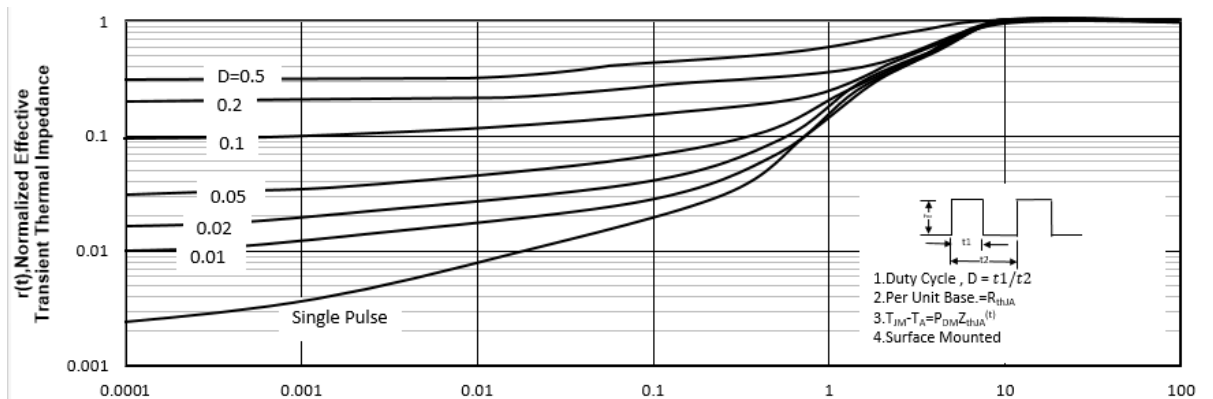


Figure10: Square Wave Pulse Duration (sec)

20V/6A N-Channel Enhancement Mode MOSFET

Test Circuit and Waveform:

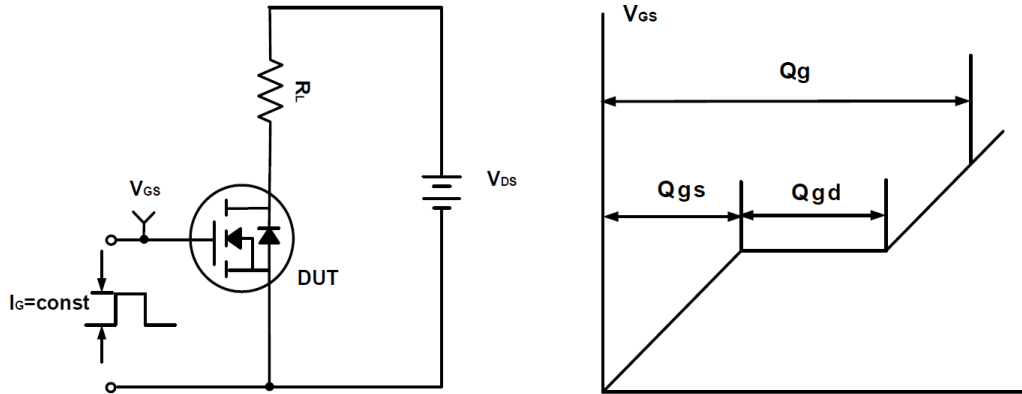


Figure A Gate Charge Test Circuit & Waveforms

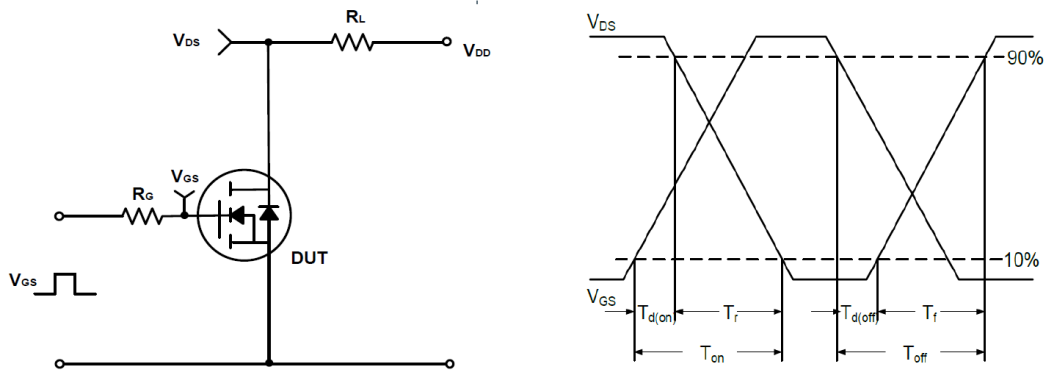


Figure B Switching Test Circuit & Waveforms

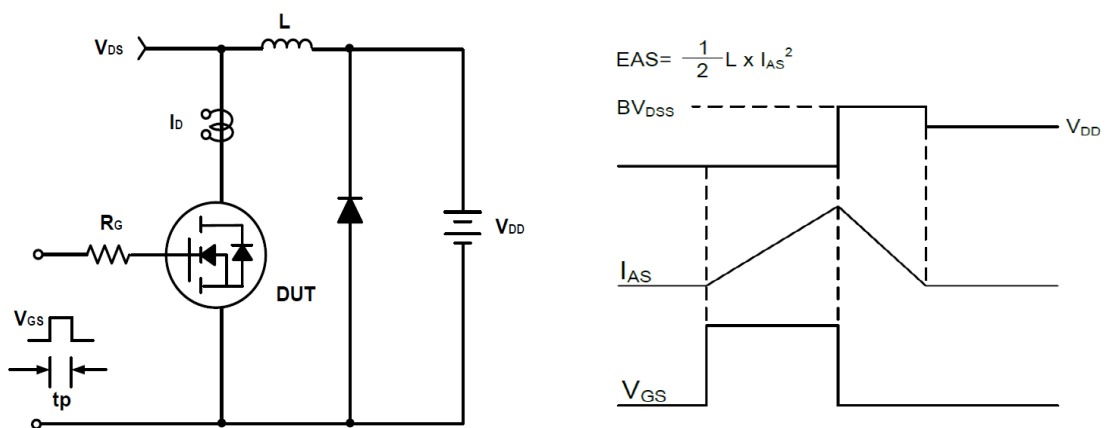
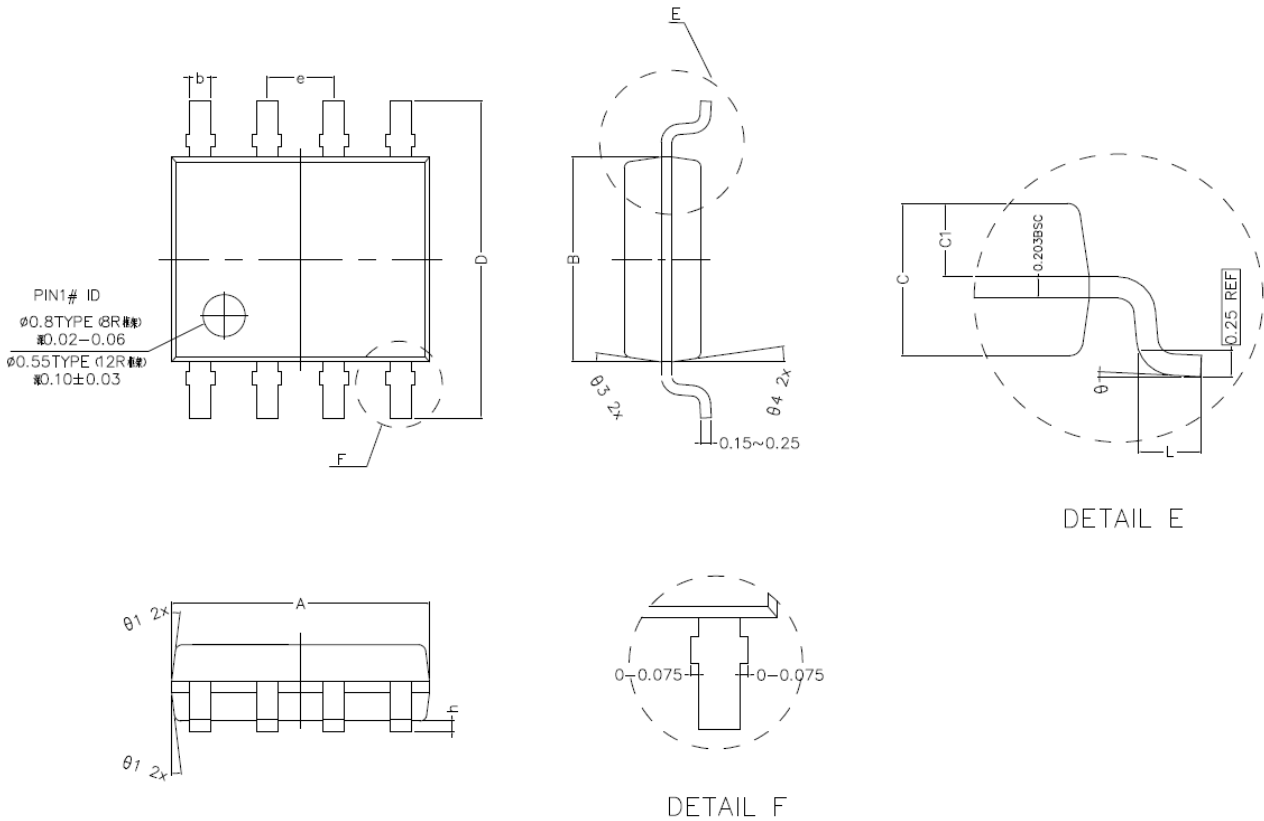


Figure C Unclamped Inductive Switching Circuit & Waveforms

20V/6A N-Channel Enhancement Mode MOSFET
SOP-8 Package Outline Dimensions (Units: mm)


COMMON DIMENSIONS (UNITS OF MEASURE IS mm)			
	MIN	NORMAL	MAX
A	4.800	4.900	5.000
B	3.800	3.900	4.000
C	1.350	1.450	1.550
C1	0.650	0.700	0.750
D	5.900	6.100	6.300
L	0.500	0.600	0.700
b	0.350	0.400	0.450
h	0.050	0.150	0.250
e	1.270TYPE		
θ_1	7° TYPE(8R)		12° TYPE(12R)
θ_2	7° TYPE(8R)		10° TYPE(12R)
θ_3	8° TYPE(8R)		12° TYPE(12R)
θ_4	8° TYPE(8R)		10° TYPE(12R)
θ	0° ~ 8°		