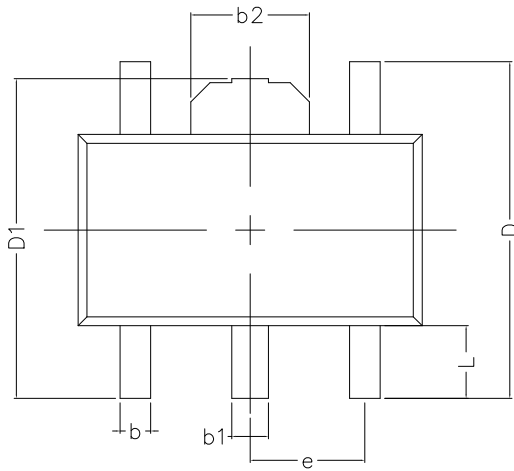
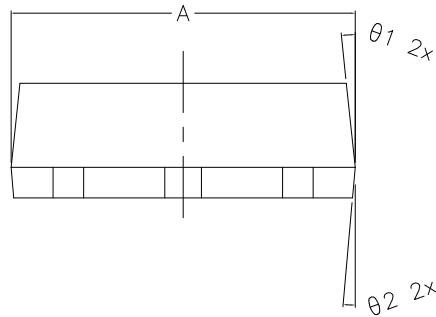
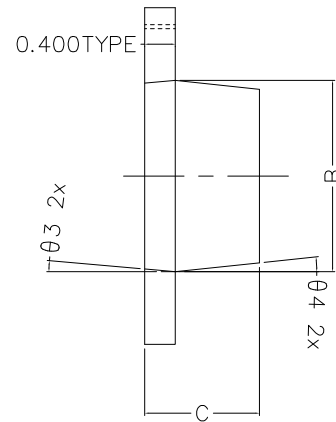


REVERSION	REVERSION RECORD	DATE	NAME
A	NEW DRAW	2019/1/12	Kang
B	UPDATE DRAW FORMAT	2021/7/2	ChenYJ



TOP VIEW



COMMON DIMENSIONS  
(UNITS OF MEASURE IS mm)

	MIN	NORMAL	MAX
A	4.450	4.550	4.650
B	2.450	2.550	2.650
C	1.400	1.500	1.600
D	4.400	4.500	4.600
D1	4.100	4.200	4.300
L	0.850	0.950	1.050
b	0.350	0.400	0.450
b1	0.430	0.480	0.530
b2	1.500	1.550	1.600
e	1.500TYPE		
$\theta 1$	6° TYPE		
$\theta 2$	5° TYPE		
$\theta 3$	5° TYPE		
$\theta 4$	6° TYPE		



深圳市金誉半导体股份有限公司  
SHENZHEN JINYU SEMICONDUCTOR CO.,LTD

SOT89-5L

THIRD ANGLE PROJECTION				SCALE	1:1	UNIT	mm
TOLERANCE				APPROVALS		DATE	
0	0.0	0.00	0.000	DESIGNER	ChenYJ	2021.07.02	
				CHECKER	XieWH	2021.07.02	
				APPROVER	LinHB	2021.07.02	

DRG NO.	JY-POD-18	REV: B
FILE NO.	JY-RE-022-18	SHEET:1 OF 1