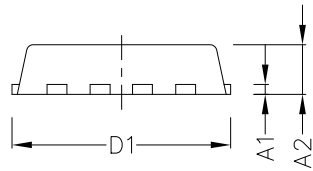
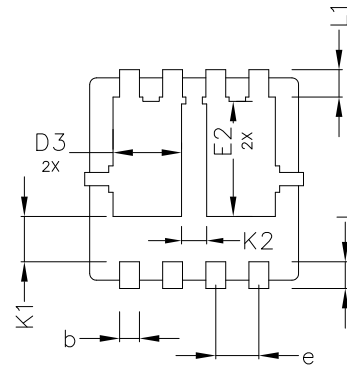


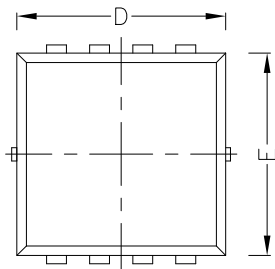
REVERSION	REVERSION RECORD	DATE	NAME
A	NEW DRAW	2019/1/12	Kang
B	UPDATE 'E1' 'E' DIMENSION	2021/12/3	ChenYJ
C	ADD PLATING LAYER DIMENSION	2022/7/20	ChenYJ



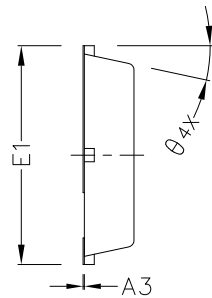
SIDE VIEW



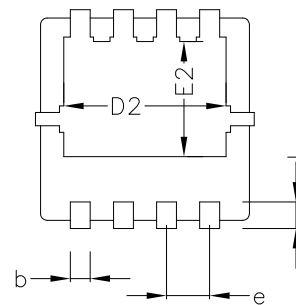
BOTTOM VIEW  
OPTION 2



TOP VIEW



SIDE VIEW



BOTTOM VIEW  
OPTION 1

COMMON DIMENSIONS  
(UNITS OF MEASURE IS mm)

	MIN	NORMAL	MAX
A1	0.152 BSC		
A2	0.650	0.750	0.850
A3	0.005	-	0.020
b	0.250	0.300	0.350
D	3.050	3.150	3.250
D1	3.200	3.300	3.400
D2	2.350	2.450	2.550
D3	0.935	1.035	1.135
E1	3.150	3.300	3.450
E	2.950	3.050	3.150
E2	1.635	1.735	1.835
e	0.650 TYPE		
L	0.300	0.400	0.500
θ	12° TYPE		
K1	0.680 REF		
K2	0.380 REF		
L1	0.410 REF		



深圳市金誉半导体股份有限公司  
SHENZHEN JINYU SEMICONDUCTOR CO.,LTD

PDFN3333

THIRD ANGLE PROJECTION				SCALE	1:1	UNIT	mm
TOLERANCE				APPROVALS		DATE	
0	0.0	0.00	0.000	DESIGNER	ChenYJ	2022.7.20	
				CHECKER	XieWH	2022.7.20	
				APPROVER	LinHB	2022.7.20	

DRG NO.	JY-POD-25	REV: C
FILE NO.	JY-RE-022-25	SHEET:1 OF 1