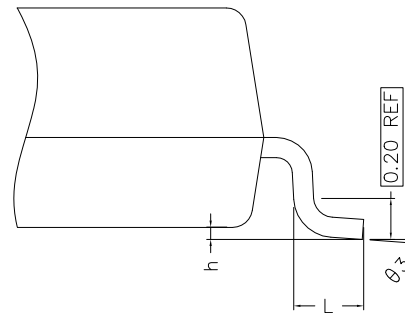
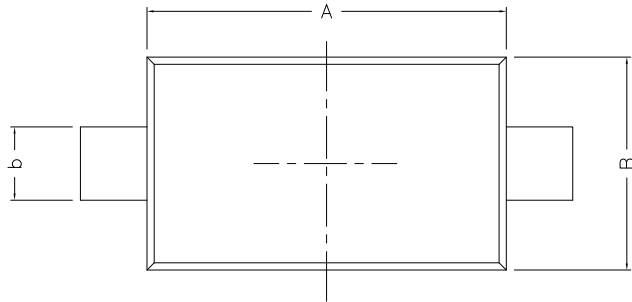
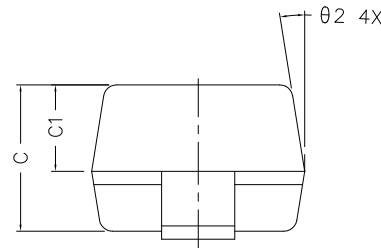
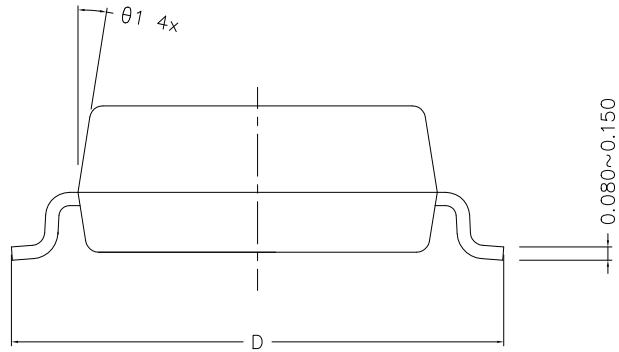


REVERSION	REVERSION RECORD	DATE	NAME
A	NEW DRAW	2019/1/12	Kang
B	UPDATE DRAW FORMAT	2021/6/22	ChenYJ

COMMON DIMENSIONS  
(UNITS OF MEASURE IS mm)

	MIN	NORMAL	MAX
A	2.600	2.700	2.800
B	1.500	1.600	1.700
C	1.050	1.100	1.150
C1	0.600	0.650	0.700
$\Delta$ D	3.550	3.700	3.850
L	0.250	0.350	0.450
h	0.010	0.050	0.100
$\Delta$ b	0.450	0.550	0.650
$\theta 1$	9° TYPE		
$\theta 2$	9° TYPE		
$\theta 3$	0° ~ 7°		



深圳市金誉半导体股份有限公司  
SHENZHEN JINYU SEMICONDUCTOR CO.,LTD

SOD-123

THIRD ANGLE PROJECTION				SCALE	1:1	UNIT	mm
TOLERANCE				APPROVALS			DATE
0	0.0	0.00	0.000	DESIGNER	ChenYJ	2021.06.16	
				CHECKER	XieWH	2021.06.22	
				APPROVER	LinHB	2021.06.22	

DRG NO.	JY-POD-03	REV: B
FILE NO.	JY-RE-022-03	SHEET:1 OF 1